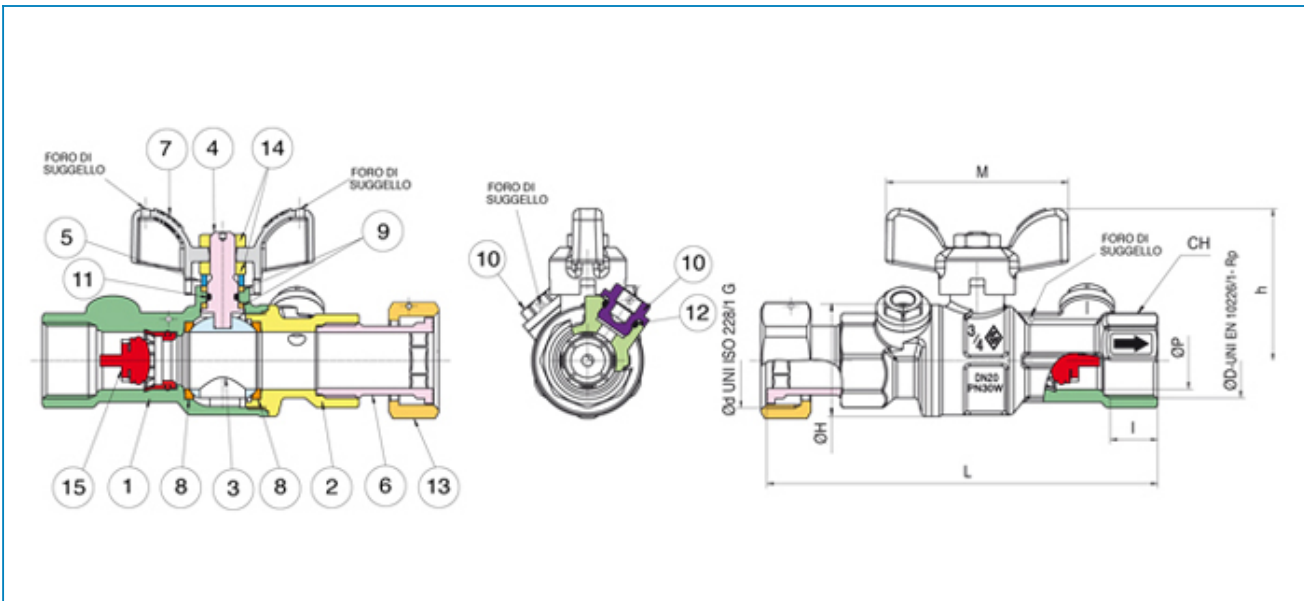




Serie **BUBLESFER**

Articolo **2U24**

Water full bore ball valve with meter's exit, thread female/nut, check valve incorporated, pressure measurement connection aluminium butterfly handle and ball with automatic rinse system.



POS.	PART NAME	MATERIALE-MATERIALS MATERIAUX-WERKSTOFF- MATERIAL	N°P
1	BODY	OTTONE CW617N UNI EN12165	1
2	END CONNECTION	OTTONE CW617N UNI EN12165	1
3	BALL	OTTONE CW617N UNI EN12165	1
4	STEM	OTTONE CW614N UNI EN12164	1
5	PACKING GLANDE	OTTONE CW614N UNI EN12164	1
6	MALE UNION TALE	OTTONE CW614N UNI EN12164	1
7	T-HANDLE	ALLUMINIO EN-AC 46100	1
8	BALL SEAT	P.T.F.E.	2
9	THRUST WASHER	P.T.F.E.	2
10	CAP	OTTONE CW614N UNI EN12164	2
11	O-RING	EPDM	1
12	O-RING	NBR	2
13	NUT	OTTONE CW617N UNI EN12165	1
14	NUT	ACCIAIO CL 04	2
15	CHECK VALVE	POM-NBR-ACCIAIO INOX	1

ØD X Ød	BOX	MASTER BOX	CODICE CODE	ØP	I	Ch	ØH	L	h	M	Kv	PN	Kg
1/2" x 3/4"	30	60	2U24260000	15	15	25	33	107	42	50	3,5	30	0,36
3/4" x 1"	20	40	2U24290000	20	16,3	31	39	137	53	64	4,6	30	0,59
1" x 1"1/4	10	20	2U24580000	25	19,1	38	49	160,3	57	64	6	30	1,15